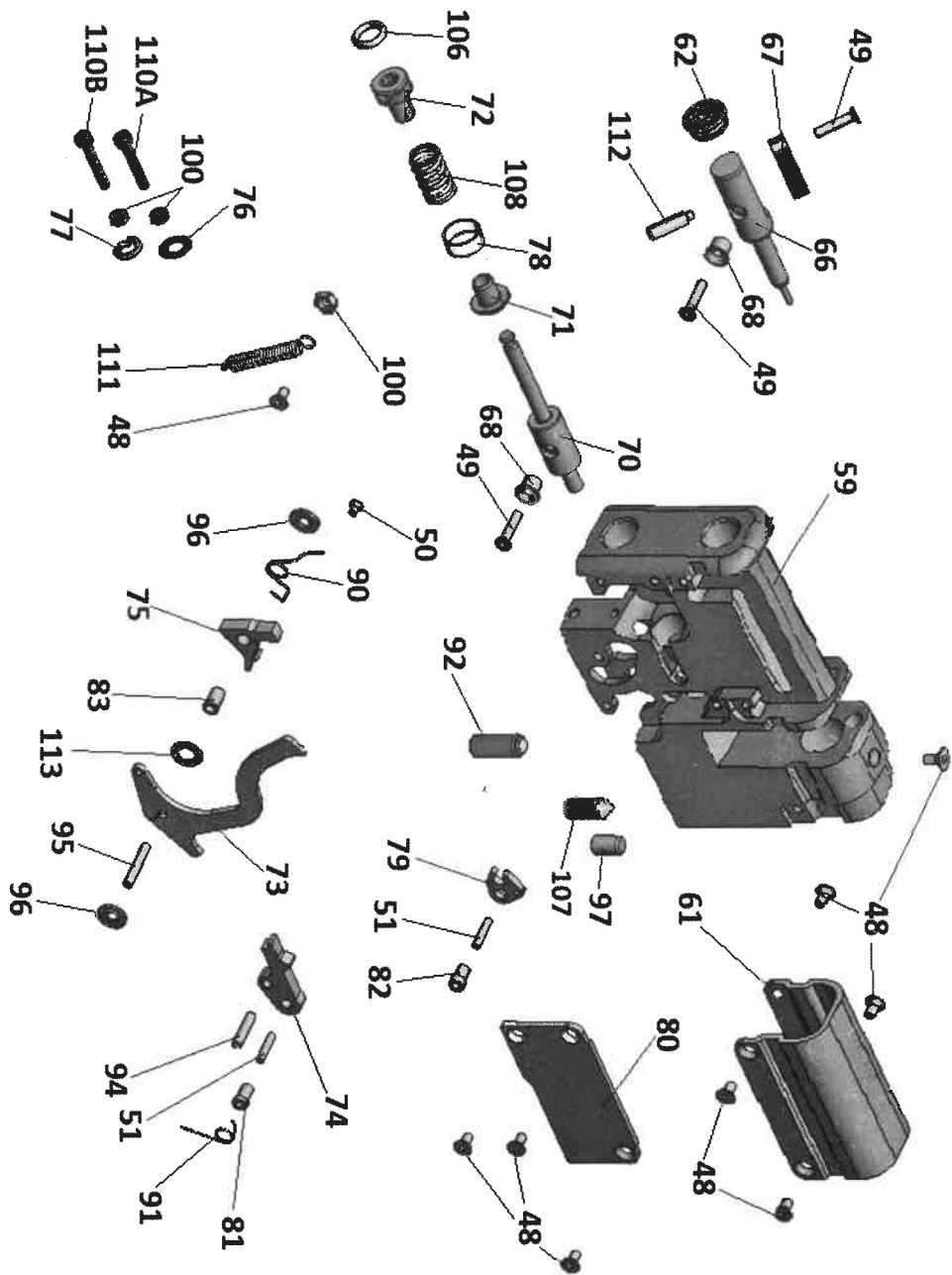
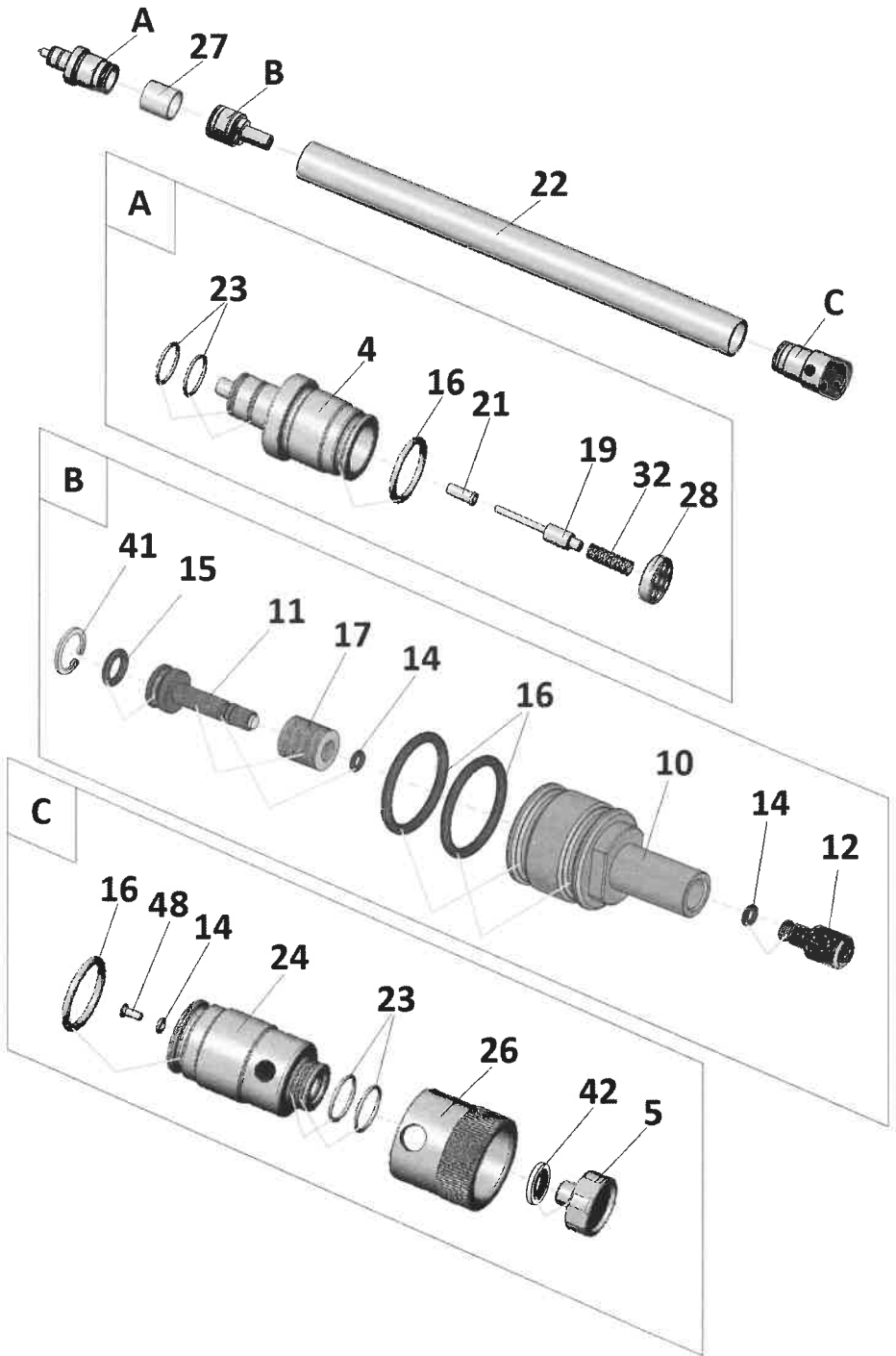


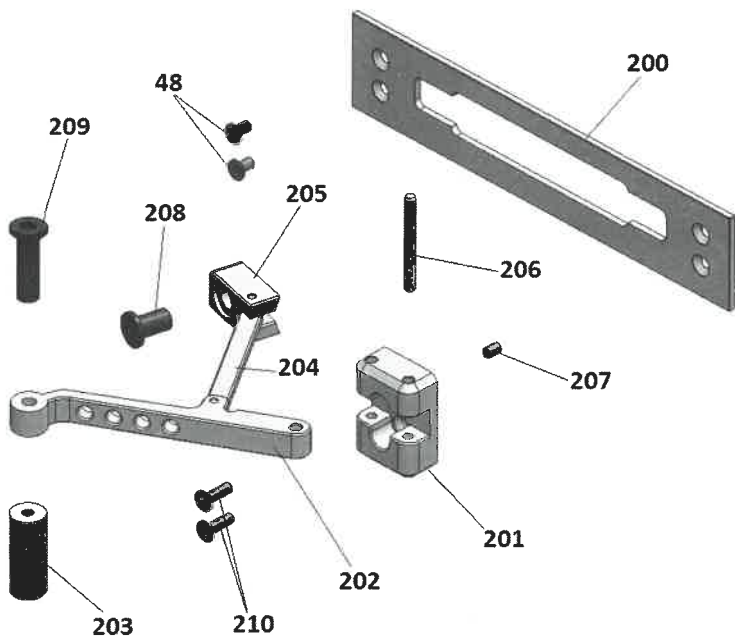
Item No.	Name of the part
2	O-ring 4,5(5,5; 6,5)x1,5
3	O-ring 11x1,5
14	O-ring 3,5x1,5
15	O-ring 7x2
16	O-ring 25,2x3
23	O-ring 17x1,5
25	O-ring 9x2,0
48	Screw M3x6
49	Screw M3x14
50	Screw M2,5x4
51	Dowel 2,5x11,8
76	Washer button 3,3x6,5x0,5
78	Silicon tube 10x1,0x5

Item No.	Name of the part
92	Screw M6x15 with ball bearing
94	Flexible dowel 3x14
95	Dowel 3x24
96	Starlock 3
97	Screw M6x10
100	Nut M3
106	O-ring 7x2
107	Screw M6x12
109	O-ring 9x2,5
110A	Screw M3x10
110B	Screw M3x12
112	Screw M4x14
113	Washer button 4x8x0,2





LEFT-HAND



RIGHT-HAND

